

X201
Model Numbers: 74101

DEPEND ON
DAVEY

WATER PRODUCTS



**SELF PRIMING
ELECTRIC PUMP**

**PRODUCT
DESCRIPTION**

Economical, compact, 1 stage open impeller, self priming centrifugal pump driven by a TEFC motor. Designed for total head duties to 18m and flows to 195lpm.

APPLICATIONS

Ideal for pumping clean or grey water with some small fibres or soft solids in such applications as:-

- Water supply
- Water transfer
- Septic tank emptying
- Draining of water tanks

DESIGN FEATURES

PUMP

- 1 stage (single impeller)
- Open vane impeller
- Stainless steel impeller wear plate
- Inbuilt check valve
- Mechanical shaft seal
- Oring casing seal

MOTOR

- Davey manufactured
- TEFC with IP55 enclosure
- Class F insulation
- Double contact C3-HTG sealed bearings
- Inbuilt thermal overload protection
- Plastic feet on motor shell

BENEFITS

- Manufactured from quality corrosion resistant materials.
- TEFC motor corrosion resistant and excludes dust and dirt.
- Motor and pump designed for frequent starts.
- Quick and easy installation.
- Low maintenance.
- Easy to service if required.
- Quick self priming.

OPERATING LIMITS

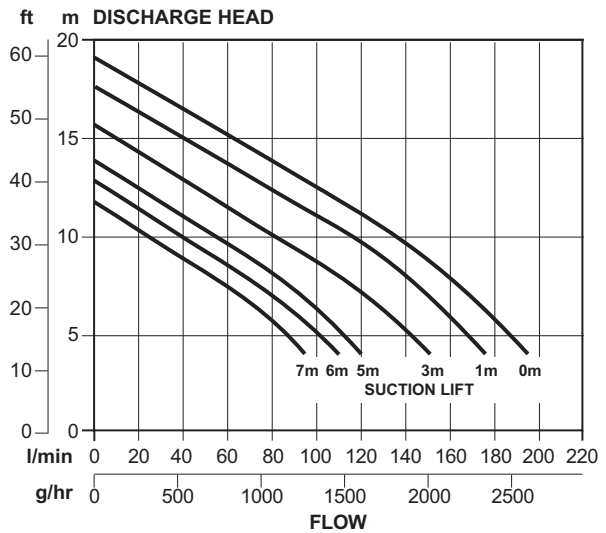
Maximum self priming suction head	7.5m
Maximum water temperature	50°C
Minimum water temperature	1°C
Inlet size	1¼" BSP(F)
Outlet size	1¼" BSP(F)
Maximum ambient temperature	55°C
Maximum casing pressure	300kPa

TECHNICAL SPECIFICATIONS

MATERIALS OF CONSTRUCTION

PART	MATERIAL
Impeller	Glass filled nylon
Impeller wear plate	304 Stainless steel
Pump casing	Glass filled noryl
Seal ring (rotating)	Carbon
Seal ring (stationary)	Ceramic
Seal spring	304 stainless steel
Orings	Nitrile rubber
Check valve	Delrin
Priming plug	Glass filled nylon
Motor shell	Marine grade aluminium
Shell finish	Baked polyester

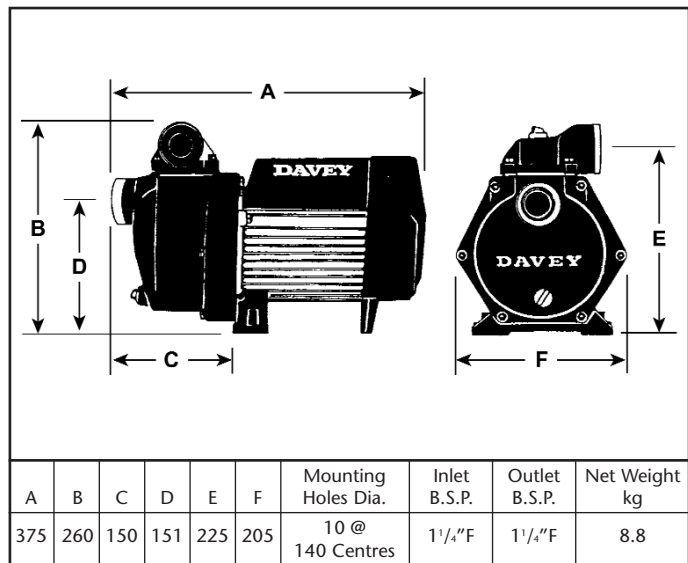
HYDRAULIC PERFORMANCE



ELECTRICAL DATA

Supply voltage	220-250V
Supply frequency	50Hz
Full load current	4.4A
Locked rotor current	18.0A
Input power (P ₁)	0.95kW
Output power (P ₂)	0.70kW
Enclosure class	IP55
Insulation class	Class F
Starting	P.S.C.

DIMENSIONS



All dimensions in mm unless otherwise stated.

INSTALLATION & PRIMING

- Installations with suction lift require a good quality foot valve to avoid loss of prime.
- To prime, fill pump body and suction line through priming plug hole located above suction inlet and replace plug.

DEPEND ON
DAVEY
WATER PRODUCTS

Davey Water Products Pty Ltd

Member of the GUD Group
ABN 18 066 327 517

AUSTRALIA
Head Office and Manufacturing
6 Lakeview Drive,
Scoresby, Australia 3179
Ph: +61 3 9730 9222
Fax: +61 3 9753 4100
Website: davey.com.au

Customer Service Centre
Ph: 1300 369 100
Fax: 1300 369 119
E-mail: sales@davey.com.au

NEW ZEALAND
7 Rockridge Avenue,
Penrose, Auckland 1061
Ph: +64 9 570 9135
Fax: +64 9 527 7654
E-mail: sales@daveynz.co.nz
Website: daveynz.co.nz

Customer Service Centre
Ph: 0800 654 333

REST OF WORLD
6 Lakeview Drive,
Scoresby, Australia 3179
Ph: +61 3 9730 9121
Fax: +61 3 9753 4248
E-mail: export@davey.com.au
Website: davey.com.au



This literature is not a complete guide to product usage. Further information is available from your Davey dealer, Davey Customer Service Centre and from the relevant product Installation and Operating Instructions. This data sheet must be read in conjunction with the relevant product Installation and Operating Instructions and all applicable statutory requirements. Product specifications may change without notice.
© Davey is a registered trademark of Davey Water Products Pty Ltd. © Davey Water Products Pty Ltd 2011.